

GREENERING

12 February
13
14 2025
Abu Dhabi, UAE



3rd INTERNATIONAL CONFERENCE

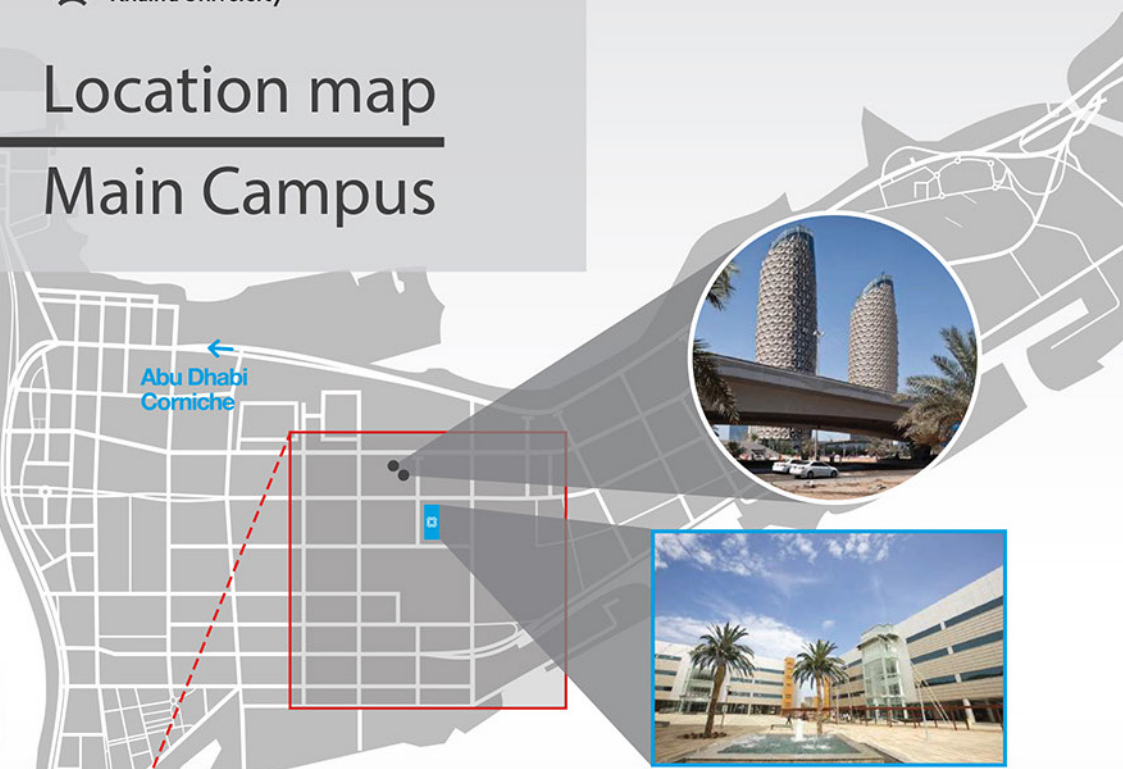
3



PROGRAM



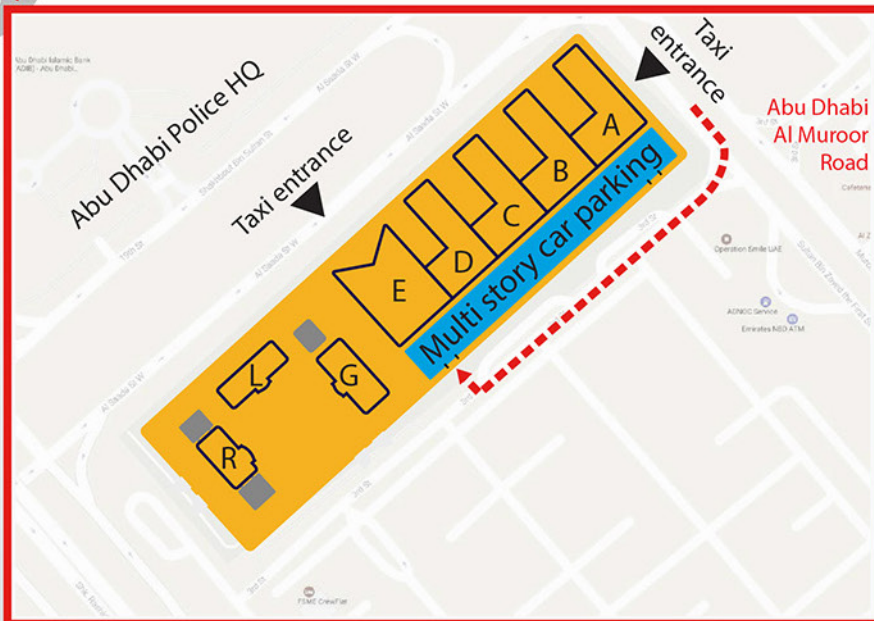
Location map Main Campus



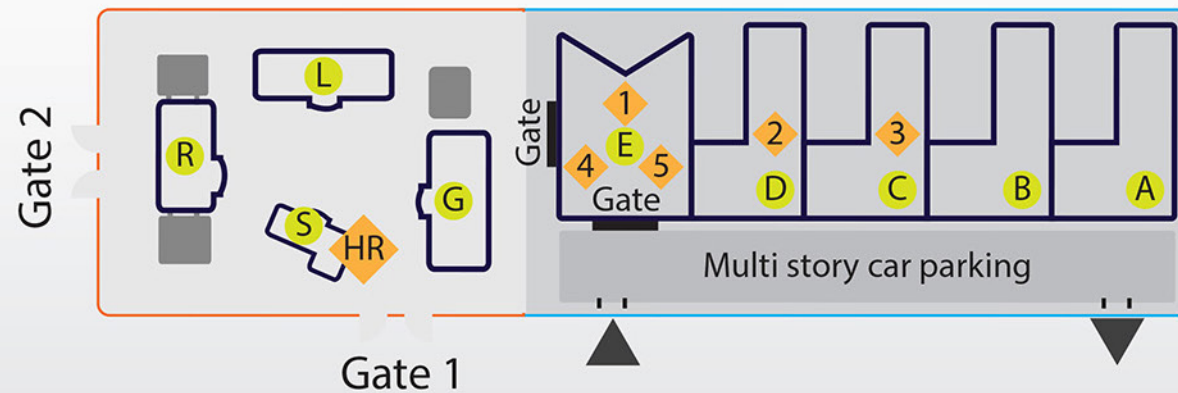
Google maps code
24.447427, 54.394882



Free Wi-Fi access is available throughout the venue.
Network: KU-EVENTS
Password: events@ku



Campus Visitors Guide



- Building
- New campus expansion
- Current campus
- ① Library
- ② Multi purpose hall
- ③ Auditorium
- ④ Food court
- ⑤ Prayer room

Dress Code

Topics

Dress Code

Visitors, irrespective of religion or nationality should dress in a modest and appropriate manner on campus. It is required that every visitor respects the norms of UAE society and he/she should not dress in a way that may offend cultural sensitivities and/or may not be within acceptable general taste.

The following points must be observed regarding visitors dress at the University campus. It is noted, however, that special protective clothing for laboratories shall be worn as necessary.



Male Visitors Dress Code

- Male visitors must wear a shirt and long trousers/jeans. Shorts and sleeveless shirts must be avoided.
- Clothes displaying offensive/objectionable writings/drawings/pictures must be avoided.
- Visible tattoos and piercings must be avoided.



Female Visitors Dress Code

- Female visitors must dress conservatively wearing long-sleeved shirts/blouses with long and loose fitting skirts/slacks, or a long-sleeve loose fitting long dress.
 - Shorts, short skirts and sleeveless/low-cut neckline shirts must be avoided.
 - Clothing that is tight, transparent, or short and shows too much skin or exposes the waist, back, or legs must be avoided.
 - Clothes displaying offensive/objectionable writings/drawings/pictures must be avoided.
 - Visible tattoos and piercings must be avoided.
- This does not include generally acceptable items such as earrings and henna.

TOPICS

1. Alternative green solvents and related technologies and processes.
2. Green strategy embedded in biotechnology:
biomass, bioenergy, and biobased products.
3. Sustainable practices in biorefineries and waste valorisation as a key priority.
4. Green solutions in development of biopolymers and advanced materials.
5. Advanced CO₂ capture and utilization.
6. Mechanochemistry and mechanical synthesis for green chemistry:
chemical reactions and materials state transformations.
7. Innovative green reactions: synthesis and catalysis.



Book of Abstracts
<https://shorturl.at/U2UvQ>

GENERAL AGENDA FOR 3RD GREENERING INTERNATIONAL CONFERENCE

12/02/2025	13/02/2025	14/02/2025
Registration 8.00 - 9.00 Spine Area, Ground floor, Building B at the entrance of halls B00107	Registration 8.30 - 9.00 Spine Area, Ground floor, Building B at the entrance of halls B00107	
Opening 9.00 - 9.20 Main Auditorium C00068-C01066		
Plenary Session 1 Location: Main Auditorium C00068-C01066	Plenary Session 2 Location: Main Auditorium C00068-C01066	Plenary Session 3 Location: Main Auditorium C00068-C01066
<u>Plenary Talk</u> 9.20 - 10.10 Raul Muñoz, University of Valladolid, Spain GAS PHASE BIOREFINERIES AS A NOVEL PLATFORM FOR AN INTEGRAL CARBON RECOVERY FROM ORGANIC WASTE	<u>Plenary Talk</u> 9.00 - 9.50 Enas Nashef, University Khalifa, UAE GREEN SOLVENTS FOR WASTEWATER TREATMENT: FUNDAMENTALS, APPLICATIONS, AND CHALLENGES	<u>Plenary Talk</u> 9.00 - 9.50 Karine SEAUDEAU PIROULEY, Innovation Fluides Supercritiques, France AN OVERVIEW ON SUPERCRITICAL FLUIDS APPLICATIONS
	<u>Invited Talk</u> 9.50 - 10.25 Evelina Colacino, University of Montpellier, France UPSCALING PHARMACEUTICALS BY MECHANOCHEMISTRY	<u>Invited Talk</u> 9.50 - 10.25 Giancarlo Cravotto, University of Turin, Italy CRITICAL ISSUES AND SUCCESS FACTORS FOR EFFECTIELY GREENERING THE CHEMICAL AND PHARMACEUTICAL INDUSTRIES
<u>Invited Talk</u> 10.10 - 10.45 David Fernandez Rivas, University of Twente, The Netherlands INERTIAL BALLISTIC MICROFLUIDICS AS A PLATFORM FOR CHEMICAL ENGINEERING APPLICATIONS	<u>Gold Sponsor Talk:</u> 10.25 - 10.35 Beckman Coulter Life Sciences and Zahrawi	<u>Supporter Video message:</u> 10.25 - 10.30 Food Scale
	<u>Silver Sponsor Video message:</u> 10.35 - 10.45 Advice Institute	
Coffee break 10.45 - 11.00 Location: Multi-Purpose Hall D00073	Coffee break 10.45 - 11.00 Location: Multi-Purpose Hall D00073	Coffee break 10.30 - 10.45 Location: Multi-Purpose Hall D00073

Parallel Sessions: 1 and 2		Parallel Sessions: 6, 7 and 8			Parallel Sessions: 13, 14 and 15		
Location: Main Auditorium C00068-C01066, Topics 5 and 7	Location: Lecture Hall B-00055 Topic 4	Location: Main Auditorium C00068-C01066 Topics 1 and 3	Location: Lecture Hall B-00055 Topic 1	Location: Lecture Hall B-00107 Topic 3	Location: Main Auditorium C00068-C01066 Topics 1 and 3	Location: Lecture Hall B-00055 Topic 4	Location: Lecture Hall B-00107 Topics 2 and 3
Invited talk 11.00 - 11.35 Leonarda Liotta, CNR-Institute for the Study of Nanostructured Materials (ISMN), Italy VALORIZATION OF GREENHOUSE CARBON DIOXIDE EMISSIONS INTO H ₂ AND VALUE-ADDED PRODUCTS BY CATALYTIC PROCESSES	Talk 6 11.00 - 11.15	Talk 26 11.00 - 11.15	Talk 33 11.00 - 11.15	Talk 40 11.00 - 11.15	Talk 63 10.45 - 11.00	Talk 69 10.45 - 11.00	Talk 74 10.45 - 11.00
	Talk 7 11.15 - 11.30	Talk 27 11.15 - 11.30	Talk 34 11.15 - 11.30	Talk 41 11.15 - 11.30	Talk-F 64 11.00 - 11.10	Talk 70 11.00 - 11.15	Talk 75 11.00 - 11.15
	Talk 8 11.30 - 11.45	Talk 28 11.30 - 11.45	Talk 35 11.30 - 11.45	Talk 42 11.30 - 11.45	Talk-F 65 11.10 - 11.20	Talk-F 71 11.15 - 11.25	Talk 76 11.15 - 11.30
Talk 1 11.35 - 11.50	Talk 9 11.45 - 12.00	Talk 29 11.45 - 12.00	Talk 36 11.45 - 12.00	Talk 43 11.45 - 12.00	Talk-F 66 11.20 - 11.30	Talk 72 11.25 - 11.40	Talk 77 11.30 - 11.45
Talk 2 11.50 - 12.05	Talk 10 12.00 - 12.15	Talk-F 30 12.00 - 12.10	Talk 37 12.00 - 12.15	Talk 44 12.00 - 12.15	Talk-F 67 11.30 - 11.40	Talk 73 11.40 - 11.55	Talk-F 78 11.45 - 11.55
Talk 3 12.05 - 12.20	Talk 11 12.15 - 12.30	Talk 31 12.10 - 12.25	Talk 38 12.15 - 12.30	Talk 45 12.15 - 12.30	Talk-F 68 11.40 - 11.50		
Talk 4 12.20 - 12.35	Talk 12 12.30 - 12.45	Talk 32 12.25 - 12.40	Talk 39 12.30 - 12.45	Talk-F 46 12.30 - 12.40			
Talk 5 12.35 - 2.50	Talk-F 13 12.45 - 12.55						
Lunch 12.55 - 13.40 Location: Multi-Purpose Hall D00073	Lunch 12.45 - 13.30 Location: Multi-Purpose Hall D00073	Lunch 12.00 - 12.45 Location: Multi-Purpose Hall D00073					
Group photo 13.40 Location: Main Auditorium C00068-C01066					Closing and awarding ceremony: 12.45 - 13.00 Location: Main Auditorium C00068-C01066		

Parallel Sessions: 3, 4 and 5			Session 9: Spotlight on GREENERING Innovators: Inspiring Success Stories and Start-up Journeys	Leaving to Desert Safari Location A Building Gate, Ground floor next to Khalifa Innovation Center 13.45
Location: Main Auditorium C00068-C01066 Topics 1 and 6	Location: Lecture Hall B-00055 Topic 2	Location: Lecture Hall B-00107 Topics 3 and 4	Location: Main Auditorium C00068-C01066	
Invited Industry Talk 13.45 - 14.00	Invited Talk 13.45 - 14.20		Invited Speakers 13.30 - 14.40	
Katerina Vassilatou, THE NUCLAB, Greece	Daniel Puyol, Rey Juan Carlos University, Spain	Talk 21 13.45 - 14.00	David Fernandez Rivas FLOWBEAMS	
EMBRACING GREEN TECHNOLOGIES IN THE COSMETIC INDUSTRY: INNOVATIONS FOR SUSTAINABLE FUTURE	THE PURPLE POWER: THE PHOTOTROPHIC BACTERIA FOR RESOURCE RECOVERY FROM ORGANIC WASTE SOURCE <i>online</i>	Talk 22 14.00 - 14.15	Marko Vincekovic MAKABI - AGRITECH	
Talk 14 14.00 - 14.15	Talk 18 14.20 - 14.35	Talk 23 14.15 - 14.30	Ana Rita Duarte DES SOLUTIO	
Talk 15 14.15 - 14.30	Talk 19 14.35 - 14.50	Talk 24 14.30 - 14.45	Ivan Spasojevic LIQUID3	
Talk 16 14.30 - 14.45	Talk-F 20 14.50 - 15.00	Talk 25 14.45 - 15.00	Vladimir Nikic MARKET FIT NS	
Talk 17 14.45 - 15.00				



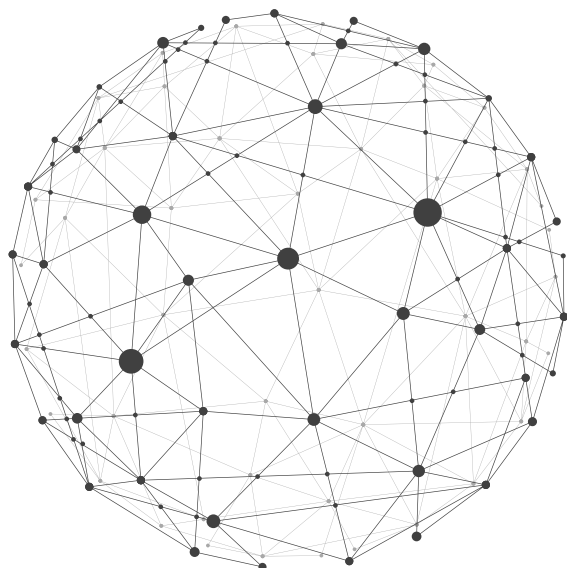
<https://greenering.net/greenering-conference/>



<https://greenering.net/>

Poster Session Location: Hall in front of Main Auditorium Connection with participants: exchange of ideas and networking	15.00 - 15.45	Poster Session with Coffee Break Location: Hall in front of Main Auditorium Discussion of presenters with the jury for the best posters award	14.40 - 15.30
Leaving to Qasr Al Watan Location: A Building Gate, Ground floor next to Khalifa Innovation Center	16.00	Parallel Sessions: 10, 11 and 12	
		Location: Main Auditorium C00068-C01066 Topics 5 and 3	Location: Lecture Hall B-00055 Topic 1
			Location: Lecture Hall B-00107 Topic 3

JOIN US!



<u>Invited talk</u> 15.30 - 16.05	Talk 51 15.30 - 15.45	Talk-F 58 15.30 - 15.40
Giorgio Vilardi, Sapienza University of Rome, Italy NANOFLUIDS AND SYNTHETIC ENZYMES FOR INTENZIFICATION OF CARBON CAPTURE BY MEANDS OF REACTIVE ABSORPTION PROCESS	Talk 52 15.45 - 16.00	Talk 59 15.40 - 15.55
	Talk 53 16.00 - 16.15	Talk 60 15.55 - 16.10
	Talk 47 16.05 - 16.20	Talk-54 16.15 - 16.30
Talk 48 16.20 - 16.35	Talk-F 54 16.30 - 16.40	Talk-F 62 16.20 - 16.30
Talk 49 16.35 - 16.50	Talk 55 16.40 - 16.55	
Talk 50 16.50 - 17.05	Talk 56 16.55 - 17.10	
	Talk 57 17.10 - 17.25	



We invite YOU to join and share
your GREEN ideas with us!

3RD GREENERING INTERNATIONAL CONFERENCE AGENDA PER DAYS

FIRST DAY: 12TH FEBRUARY 2025

Registration	8.00 - 9.00 Location: Spine Area, Ground floor, Building B at the entrance of halls B00107	
Opening	9.00 - 9.20 Location: Main Auditorium C00068-C01066	
Plenary Session 1	09.20 - 10.45 Location: Main Auditorium C00068-C01066 <i>Session Chairs: Professor Anastasia Detsi, Greece, and Professor Sulaiman Al Zuhair, UAE</i>	
	9.20 - 10.10 <u>Plenary Talk: Raul Muñoz, University of Valladolid, Spain</u> GAS PHASE BIOREFINERIES AS A NOVEL PLATFORM FOR AN INTEGRAL CARBON RECOVERY FROM ORGANIC WASTE	
	10.10 - 10.45 <u>Invited Talk: David Fernandez Rivas, University of Twente, The Netherlands</u> INERTIAL BALLISTIC MICROFLUIDICS AS A PLATFORM FOR CHEMICAL ENGINEERING APPLICATIONS	
Coffee break:	10.45 - 11.00 Location: Multi-Purpose Hall D00073	
Parallel Sessions: 1 and 2	11.00 - 12.50 Location: Main Auditorium C00068-C01066 Topics 5 and 7 <i>Session Chairs: Professor Giorgio Vilardi, Italy, and Professor Zongsu Wei, Denmark</i>	11.00 - 12.55 Location: Lecture Hall B-00055 Topic 4 <i>Session Chairs: Professor David Fernandez Rivas, The Netherlands, and Professor Erika Maria Vagi, Hungary</i>
	11.00 - 11.35 <u>Invited talk: Leonarda Liotta, CNR-Institute for the Study of Nanostructured Materials (ISMN), Italy</u> VALORIZATION OF GREENHOUSE CARBON DIOXIDE EMISSIONS INTO H₂ AND VALUE-ADDED PRODUCTS BY CATALYTIC PROCESSES	11.00 - 11.15 GREEN PROCESSING OF BIOPOLYMER AEROGELS FOR BIOMEDICAL APPLICATIONS, Clara López-Iglesias , University of Santiago de Compostela, Spain
	11.35 - 11.50 PROCESS INTEGRATION OF CATALYTIC AND BIOLOGICAL CO ₂ METHANATION FOR POWER TO GAS APPLICATIONS, Leonardo Colelli , Sapienza University of Rome, Italy	11.15 - 11.30 SUPERCRITICAL CO ₂ : A SUSTAINABLE ALTERNATIVE TO STERILIZE POLYMERIC IMPLANTABLE MEDICAL DEVICES, Crampon Christelle , Aix Marseille University, France

Parallel Sessions: 1 and 2	11.00 - 12.50 Location: Main Auditorium C00068-C01066 Topics 5 and 7 <i>Session Chairs: Professor Giorgio Vilardi, Italy, and Professor Zongsu Wei, Denmark</i>	11.00 - 12.55 Location: Lecture Hall B-00055 Topic 4 <i>Session Chairs: Professor David Fernandez Rivas, The Netherlands, and Professor Erika Maria Vagi, Hungary</i>
	11.50 - 12.05 DEVELOPMENT OF NI/CAO-AL ₂ O ₃ CATALYST PELLET FOR HYDROGEN PRODUCTION FROM TREATED BIOGAS VIA SORPTION-ENHANCED STEAM REFORMING REACTION, Suwimol Wongsakulphasatch , King Mongkut's University of Technology North Bangkok, Thailand	11.30 - 11.45 ENHANCING CYCLODEXTRIN GLYCOSYLTRANSFERASE PERFORMANCE WITH METAL-ORGANIC FRAMEWORKS, Sulaiman Al-Zuhair , UAE University Al Ain, UAE
	12.05 - 12.20 CONTINUOUS CARBON CAPTURE AND UTILIZATION IN THE TAYLOR-COUPETTE DISC CONTACTOR, Georg Rudelstorfer , Institute of Chemical Engineering and Environmental Technology, Graz University of Technology, Austria	11.45 - 12.00 PLANT-BASED BIOMASS VALORISATION FOR THE DEVELOPMENT OF BIOPLASTIC FILMS USING NATURAL DEEP EUTECTIC SOLVENTS, Andromachi Tzani , National Technical University of Athens, Greece
	12.20 - 12.35 UNVEILING STRUCTURE-ACTIVITY CORRELATIONS IN NI-LA CATALYSTS FOR EFFICIENT CO ₂ METHANATION, Luca Consentino , CNR-ISMN, University of Palermo, Italy	12.00 - 12.15 MICROPARTICLES FORMULATIONS WITH 3-IN-1 EFFECT FOR PLANT NUTRITION AND PROTECTION, Marko Vincekovic , University of Zagreb, Faculty of Agriculture, Croatia
	12.35 - 12.50 ALKALINE EARTH METAL SUPERALKALIS FOR CARBON DIOXIDE AND NITROGEN MOLECULES ACTIVATION: A HYBRID QM-QSPR APPROACH, Celina Sikorska , University of Gdansk, Poland	12.15 - 12.30 ANTIOXIDATIVE POTENTIAL OF PLUM OIL-CAKE BASED BIOFILMS, Jovana Pantić , Faculty of Technology Novi Sad, University of Novi Sad, Serbia
		12.30 - 12.45 A DUAL PROCESSING STRATEGY TO MANUFACTURE IN VIVO TRACEABLE SCAFFOLDS, Ana Iglesias-Mejuto , Faculty of Pharmacy, University of Santiago de Compostela, Spain <i>Online</i>
		12.45 - 12.55 NANOSTRUCTURED LIPID CARRIERS AND NATURAL DEEP EUTECTIC SOLVENTS: A HIGHLY ADVANTAGEOUS COMBINATION FOR THE ENCAPSULATION OF CURCUMIN, Kyriaki Safari , Laboratory of Organic Chemistry, School of Chemical Engineering, National Technical University of Athens, Greece <i>Flash Online Presentation</i>

Lunch	12.55 - 13.40 Location: Multi-Purpose Hall D00073		
Group Photo	13.40 Location: Main Auditorium C00068-C01066		
Parallel Sessions: 3, 4, 5	13.45 - 15.00 Location: Main Auditorium C00068-C01066 Topic 1 and 6 <i>Session Chairs: Professor Nayla Munawar, UAE, and Professor Ivana Radojic Redovnikovic, Croatia</i>	13.45 - 15.00 Location: Lecture Hall B-00055 Topic 2 <i>Session Chairs: Professor Leonarda Liotta, Italy, and Professor Senka Vidovic, Serbia</i>	13.45 - 15.00 Location: Lecture Hall B-00107 Topics 3 and 4 <i>Session Chairs: Professor Professor Ana Rita Duarte, and Professor Erika Maria Vagi, Hungary</i>
	13.45 - 14.00 <u>Invited Industry Talk:</u> Katerina Vassilitou, THE NUCLAB, Greece EMBRACING GREEN TECHNOLOGIES IN THE COSMETIC INDUSTRY: INNOVATIONS FOR SUSTAINABLE FUTURE	13.45 - 14.20 <u>Invited Talk:</u> Daniel Puyol, Rey Juan Carlos University, Spain THE PURPLE POWER: THE PHOTOTROPHIC BACTERIA FOR RESOURCE RECOVERY FROM ORGANIC WASTE SOURCE <i>Online</i>	13.45 - 14.00 ADDING VALUE TO LIGNOCELLULOSIC RESIDUES THROUGH THE PRODUCTION OF NANOCELLULOSE AND NANOLIGNIN, Ana Luisa Fernando , NOVA University Lisbon, NOVA School of Science and Technology, Portugal
	14.00 - 14.15 INTEGRATING DEEP EUTECTIC SOLVENTS IN DRUG SYNTHESIS: A PATH TOWARD ECO-FRIENDLY PHARMACEUTICAL MANUFACTURING, Ana Rita Jesus , NOVA University, Portugal	14.20 - 14.35 BIOHYDROGEN PRODUCTION THROUGH SEMICONTINUOUS DARK FERMENTATION OF FOOD WASTE AND WASTE ACTIVATED SLUDGE, Cristina Cavinato , University Ca' Foscari of Venice, Italy	14.00 - 14.15 SUB-CELLULAR FIBRILLATION OF PLANT BIOMASS FOR SUSTAINABLE BIO-BASED MATERIALS DEVELOPMENTS, Blaise Tardy , Khalifa University, UAE
	14.15 - 14.30 SUSTAINABLE PREPARATION OF A WHO ESSENTIAL MEDICINE BY RESONANT ACOUSTIC MIXING, Christos Chatzigiannis , University of Montpellier, France <i>Online</i>	14.35 - 14.50 MICROALGAE-BASED DIRECT AIR CAPTURE SOLUTIONS FOR CO ₂ EMISSIONS MANAGEMENT IN DEVELOPING MEGACITIES, Wannia Chchige Manuja Sudara Dayanath , Monash University, Malaysia	14.15 - 14.30 PERSPECTIVES OF THE SOLID-STATE FERMENTATION IN DEVELOPMENT OF LIGNOCELLULOSIC BIOREFINERIES, Marina Tišma , University of Osijek, Faculty of Food Technology Osijek, Croatia

Parallel Sessions: 3, 4, 5	13.45 - 15.00 Location: Main Auditorium C00068-C01066 Topic 1 and 6 <i>Session Chairs: Professor Nayla Munawar, UAE, and Professor Ivana Radojic Redovnikovic, Croatia</i>	13.45 - 15.00 Location: Lecture Hall B-00055 Topic 2 <i>Session Chairs: Professor Leonarda Liotta, Italy, and Professor Senka Vidovic, Serbia</i>	13.45 - 15.00 Location: Lecture Hall B-00107 Topics 3 and 4 <i>Session Chairs: Professor Professor Ana Rita Duarte, and Professor Erika Maria Vagi, Hungary</i>	
	14.30 - 14.45 INTRODUCTION OF A NOVEL PLANT EXTRACT COMPOSITION USING MULTICOMPONENT NATURAL DEEP EUTECTIC SOLVENTS (NADES), Manuela Panić , NADES Design, Croatia	14.50 - 15.00 COMPLETE GENOME SEQUENCE OF VIBRIO GAZOGENES PB1: AN ESTUARINE BACTERIUM CAPABLE OF PRODUCING PRODIGIOSIN FROM STARCH OR CELLULOSE, Akhtar M Kalim , Al Ain University, UAE <i>Flash presentation</i>	14.30 - 14.45 A SUSTAINABLE BIOMANUFACTURED CULTIVAATED MEAT PROTOTYPE, Deepak Choudhury , BTI A*STAR, Singapore	
	14.45 - 15.00 SUPERCRITICAL PROCESSES APPLIED TO THE ELABORATION OF DRUG DELIVERY SYSTEMS, Yasmine Masmoudi , Aix Marseille University, France <i>Online</i>		14.45 - 15.00 GREEN VALORIZATION OF COCOA BEAN SHELLS: REDUCING SOLVENT CONSUMPTION WITH A CO ₂ /2-MeTHF/WATER PRESSURIZED SYSTEM Felipe Sanchez Bragagnolo , University of Campinas (UNICAMP), Brazil	
Poster Session	15.00 - 15.45 Location: Hall in front of Main Auditorium Exchange of ideas among participants and networking			
Leaving to Qasr Al Watan	16.00 Location: A Building Gate, Ground floor next to Khalifa Innovation Center			

3RD GREENERING INTERNATIONAL CONFERENCE AGENDA PER DAYS

SECOND DAY: 13TH FEBRUARY 2025

Registration	8.30 - 9.00 Location: Spine Area, Ground floor, Building B at the entrance of halls B00107		
Plenary Session 2	9.00 - 10.45 Location: Main Auditorium C00068-C01066 <i>Session Chairs: Professor Fawzi Banat, UAE and Professor David Fernandez Rivas, Netherland</i>		
	9.00 - 9.50 Plenary Talk: Enas Nashef, Khalifa University, UAE GREEN SOLVENTS FOR WASTEWATER TREATMENT: FUNDAMENTALS, APPLICATIONS, AND CHALLENGES		
	9.50 - 10.25 Invited Talk: Evelina Colacino, University of Montpellier, France UPSCALING PHARMACEUTICALS BY MECHANOCHEMISTRY		
	10.25 - 10.35 Gold Sponsor Talk: Beckman Coulter Life Sciences and Zahrawi		
	10.35 - 10.45 Silver Sponsor Video message: Advice Institute		
Coffee Break	10.45 - 11.00 Location: Multi-Purpose Hall D00073		
Parallel Sessions: 6, 7 and 8	11.00 - 12.40 Location: Main Auditorium C00068-C01066 Topics 1 and 3 <i>Session Chairs: Professor Ivana Radojicic Redovnikovic, Croatia, and Professor Ioannis Murtzinos, Greece</i>	11.00 - 12.45 Location: Lecture Hall B-00055 Topic 1 <i>Session Chairs: Professor Evelina Colacino, France, and Dr Aleksandra Gavaric, Serbia</i>	11.00 - 12.40 Location: Lecture Hall B-00107 Topic 3 <i>Session Chairs: Professor Senka Vidovic, Serbia, and Professor Cheng Chin Kui, UAE</i>
	11.00 - 11.15 BREAKTHROUGH HIGHLY-EFFECTIVE REMOVAL OF PERFLUOROOCANOIC ACID FROM WASTEWATER USING NOVEL NATURAL DEEP EUTECTIC SOLVENTS, Sana Mohammad Eid , Khalifa University, UAE	11.00 - 11.15 SUPERCRITICAL CO ₂ FRACTIONATION: CASE STUDIES FROM PERFUME TO ENERGY APPLICATIONS, Crampon Christelle , Aix-Marseille University, France	11.00 - 11.15 A NEW PROCESS FOR THE GASIFICATION OF SOLID WASTE IN SUPERCRITICAL WATER USING SOLAR THERMAL REACTORS, Giuseppe Caputo , University of Palermo, Italy

Parallel Sessions: 6, 7 and 8	11.00 - 12.40 Location: Main Auditorium C00068-C01066 Topics 1 and 3 <i>Session Chairs: Professor Ivana Radojicic Redovnikovic, Croatia, and Professor Ioannis Murtzinis, Greece</i>	11.00 - 12.45 Location: Lecture Hall B-00055 Topic 1 <i>Session Chairs: Professor Evelina Colacino, France, and Dr Aleksandra Gavaric, Serbia</i>	11.00 - 12.40 Location: Lecture Hall B-00107 Topic 3 <i>Session Chairs: Professor Senka Vidovic, Serbia, and Professor Cheng Chin Kui, UAE</i>
	11.15 - 11.30 AGRO-AND INDUSTRIAL WASTES AS PRECURSORS OF SUSTAINABLE CARBON BASED ADSORBENTS IN WASTEWATER TREATMENT: PRODUCTION, FUNCTIONALIZATION, AND PHARMACEUTICAL REMOVAL EFFICIENCY, Ângela Augusta Soares de Almeida , University of Aveiro & CESAM, Portugal	11.15 - 11.30 OPTIMIZATION BIOACTIVE COMPOUND EXTRACTION FROM <i>ROSA CANINA</i> L. PSEUDOFRUIT THROUGH SYNERGISTIC ACTION OF TWO HYDROLYTIC ENZYMES, Zafeiria Lemoni , National Technical University of Athens, Greece	11.15 - 11.30 MICROWAVE-ASSISTED CO-PYROLYSIS OF PLASTIC WASTE AND RESIDUAL BIOMASS BIOCHAR FOR UPCYCLING INTO VALUABLE PRODUCTS, Matteo Francavilla , STAR*Facility Centre, University of Foggia, Italy
	11.30 - 11.45 ENHANCED REMOVAL OF PHARMACEUTICAL COMPOUNDS FROM AQUEOUS SOLUTION USING DEEP EUTECTIC SOLVENTS-IMPREGNATED GRAPHENE OXIDE, Anjali Goyal , Khalifa University of Science and Technology, UAE	11.30 - 11.45 EVALUATING HORN AND WATER BATH ULTRASONICATION PRETREATMENT FOR ENHANCED PROTEIN AND PHYCOCYANIN EXTRACTION FROM <i>SPIRULINA PLATENSIS</i> USING A LIQUID TRIPHASIC FLOTATION SYSTEM, Mohd Zuhair Mohd Nor , University Putra Malaysia, Malaysia	11.30 - 11.45 SIMULATION AND OPTIMIZATION OF BIO-OIL, BIOCHAR, AND SYNGAS OBTAINED FROM THE CO-PYROLYSIS OF DATE SEEDS AND TIRE PLASTIC WASTE, Lisandra Meneses , Estonian University of Life Sciences, Estonia
	11.45 - 12.00 SELECTIVE DEEP EUTECTIC SOLVENT-MEDIATED LEACHING OF VALUABLE METALS FROM ELECTRONIC WASTE USING ETHYLENE GLYCOL AS ADDITIVE, Alia AlAydarooos , Khalifa University, UAE	11.45 - 12.00 SUPERCRITICAL CO ₂ EXTRACTION OF ERGOSTEROL: A GREEN APPROACH WITH SHIITAKE MUSHROOMS, Rita Faustino , iBET - Institute of Experimental Biology and Technology, Portugal <i>Online</i>	11.45 - 12.00 PHYSIOCHEMICAL INSIGHTS INTO ADSORPTION AND THERMAL DEGRADATION OF SHORT-AND LONG-CHAIN PFAS BY REGENERABLE WASTE DERIVED BIOCHAR, Zongsu Wei , Aarhus University, Denmark
	12.00 - 12.10 ENZYME-FUNCTIONALIZED BIOCHAR FOR THE ENHANCED TREATMENT OF WATER CONTAMINATED WITH DICLOFENAC AND AMOXICILLIN, Ana Catarina Dinis Malpique Peleja , University of Aveiro, Portugal <i>Flash Presentation</i>	12.00 - 12.15 PRODUCTION OF NOVEL DABAI PULP-BASED MARKER INK: PROCESS OPTIMIZATION, PHYSICO-CHEMICAL AND MORPHOLOGY ANALYSIS, Muhammad Hazwan Hamzah , University Putra Malaysia, Malaysia	12.00 - 12.15 MECHANOCHEMICAL SYNTHESIS OF COVALENT TRIAZINE POLYMERS FOR POLLUTANT CAPTURE AND PLASTIC WASTE UPCYCLING, Zeinab Mohamed Saeed , Khalifa University, UAE

Parallel Sessions: 6, 7 and 8	11.00 - 12.40 Location: Main Auditorium C00068-C01066 Topics 1 and 3 <i>Session Chairs: Professor Ivana Radojicic Redovnikovic, Croatia, and Professor Ioannis Murtzinis, Greece</i>	11.00 - 12.45 Location: Lecture Hall B-00055 Topic 1 <i>Session Chairs: Professor Evelina Colacino, France, and Dr Aleksandra Gavaric, Serbia</i>	11.00 - 12.40 Location: Lecture Hall B-00107 Topic 3 <i>Session Chairs: Professor Senka Vidovic, Serbia, and Professor Cheng Chin Kui, UAE</i>
	12.10 - 12.25 SUPERCRITICAL CO ₂ STERILIZATION: A GREEN SOLUTION TO A UNIVERSAL CHALLENGE, María Carracedo Pérez , University of Santiago de Compostela, Spain <i>Online</i>	12.15 - 12.30 PREPARATION OF POMEGRANATE PEELS EXTRACTS RICH IN ELLAGIC ACID WITH THE AID OF ULTRASOUND-ASSISTED ALKALINE HYDROLYSIS, Anastasia Kyriakoudi , Aristotle University of Thessaloniki, Greece <i>Online</i>	12.15 - 12.30 FINANCE FOR CIRCULARITY: INNOVATIONS AND CHALLENGES, Olivija Filipovska , Geostrategic Institute Global, North Macedonia
	12.25 - 12.40 REMOVAL OF MYCOTOXINS USING FOOD INDUSTRY WASTE, Iva Čanak , Faculty of Food Technology and Biotechnology, Croatia	12.30 - 12.45 SYNTHESIS OF NEW ARYL-SUBSTITUTED AURONES VIA SUZUKI-MIYAUURA REACTION AND BIOACTIVITY ASSESSMENT, Vasiliki Kakokefalou , National Technical University of Athens, Greece <i>Online</i>	12.30 - 12.40 CREATING MINIMUM VIABLE PRODUCTS USING BIOWASTE TRANSFORMATION METHODS, Jana Klopchevska Faculty of Technology and Metallurgy, UKIM, Skopje, North Macedonia <i>Flash presentation</i>
Lunch	12.45 - 13.30 Location: Multi-Purpose Hall D00073		
Session 9: Spotlight on GREENERING Innovators: Inspiring Success Stories and Start-up Journeys	13.30 - 14.40 Location: Main Auditorium C00068-C01066 <i>Session Chairs: Professor Erika Maria Vagi, Hungary, and Professor Ioannis Mourtzinis, Greece</i>		
	Invited Speakers: David Fernandez Rivas – FLOWBEAMS Marko Vincekovic – MAKABI - AGRITECH Ana Rita Duarte – DES SOLUTIO Ivan Spasojevic – LIQUID3 Vladimir Nikic – MARKET FIT NS		
Poster Session With Coffee Break	14.40 - 15.30 Location: Hall in front of Main Auditorium Discussion of the poster presenters with the review panel		

Parallel Sessions: 10, 11 and 12	15.30 - 17.05 Location: Main Auditorium C00068-C01066 Topics 5 and 3 <i>Session Chairs: Professor Leonarda Liotta, Italy, and Professor Cristina Cavinato, Italy</i>	15.30 - 17.25 Location: Lecture Hall B-00055 Topic 1 <i>Session Chairs: Professor Erika Maria Vagi, Hungary, and Dr Aleksandra Gavarić, Serbia</i>	15.30 - 16.45 Location: Lecture Hall B-00107 Topic 3 <i>Session Chairs: Professor Senka Vidović, Serbia, and Professor Ioannis Mourtzinos, Greece</i>
	15.30 - 16.05 <u>Invited talk:</u> Giorgio Vilardi, Sapienza University of Rome, Italy NANOFLUIDS AND SYNTHETIC ENZYMES FOR INTENZIFICATION OF CARBON CAPTURE BY MEANS OF REACTIVE ABSORPTION PROCESS	15.30 - 15.45 SUPERCRITICAL CARBON DIOXIDE EXTRACTION OF GRAPE POMACE: ENHANCING RESOURCE EFFICIENCY, Leonardo Gaspar Rodrigues , University of Technology of Troyes, France	15.30 - 15.45 UTILIZING DIATOMACEOUS EARTH MATERIAL AND TREATED ALKALI-RICH MINE WASTE TO DEVELOP RED CLAY BASED POROUS CERAMIC WATER EMITTER FOR URBAN GARDENING, Loriann Intong Cabalo , Mindanao State University-Iligan Institute of Technology, Philippines
	16.05 - 16.20 TRANSMIT COST ACTION – A NETWORK FOR CARBON CAPTURE AND STORAGE AND DIRECT AIR CAPTURE TECHNO-ECONOMIC ANALYSIS, Anna Skorek-Osikowska , Silesian University of Technology, Poland	15.45 - 16.00 SUSTAINABLE BIOREFINERY: CONVERTING WHEY INTO VALUABLE PRODUCTS USING AN ENZYMATIC MEMBRANE, Sama A. Al-Mutwalli , Istanbul Technical University, Turkey	15.45 - 15.55 FEASIBILITY ASSESSMENT OF EXPANDING SUPERCAPACITOR PRODUCTION USING GRAPHENE OXIDE AND SEQUENTIAL HTC ACTIVATION PROCESSES, Pablo J. Arauzo , University of Hohenheim, Stuttgart <i>Flash presentation</i>
	16.20 - 16.35 HYDROGEN PRODUCTION VIA METHANE DECOMPOSITION CHEMICAL LOOPING: HARNESSING CO ₂ CAPTURE WITH ADVANCED NI-BASED CATALYSTS, Eleonora La Greca , University of Catania, CNR-ISMN, Italy	16.00 - 16.15 GREEN BIOREFINERY OF SMALL FRUIT POMACE, Petras Rimantas Venskutonis , Kaunas University of Technology, Lithuania	15.55 - 16.05 SYNERGY OF PLASTIC WASTE, CONSTRUCTION WASTE FROM DEMOLITION AND OTHER INDUSTRIAL WASTE FOR MAKING SIDEWALKS AND BICYCLE PATHS 100% RECYCLED-PROJECT INTRODUCTION, Agnieszka Chowaniec-Michalak , Wrocław University of Science and Technology, Poland <i>Flash presentation</i>
	16.35 - 16.50 BIO-ELECTROCHEMICAL CONVERSION OF BIOGENIC CO ₂ INTO SINGLE CELL PROTEIN, Marco Pezzuto , University of Verona, Italy	16.15 - 16.30 A COMPARATIVE STUDY ON SEQUENTIAL GREEN HYBRID TECHNIQUES FOR THE EXTRACTION OF DATE SEED BIOACTIVE COMPOUNDS AND ITS APPLICATION AS AN ADDITIVE FOR SHELF- LIFE EXTENSION OF OREOCHROMIS NILOTICUS, Jennifer Osamede Airouyuwa , United Arab Emirate University	16.05 - 16.20 OPTIMIZATION OF A SUSTAINABLE SOLVENT-BASED PROCESS FOR ELASTANE SEPARATION AND RECYCLING FROM BLENDED TEXTILES, Mariangela Guastaferrò , University of Pisa, Italy <i>Online</i>

Parallel Sessions: 10, 11 and 12	15.30 - 17.05 Location: Main Auditorium C00068-C01066 Topics 5 and 3 <i>Session Chairs: Professor Leonarda Liotta, Italy, and Professor Cristina Cavinato, Italy</i>	15.30 - 17.25 Location: Lecture Hall B-00055 Topic 1 <i>Session Chairs: Professor Erika Maria Vagi, Hungary, and Dr Aleksandra Gavarić, Serbia</i>	15.30 - 16.45 Location: Lecture Hall B-00107 Topic 3 <i>Session Chairs: Professor Senka Vidović, Serbia, and Professor Ioannis Mourtzinou, Greece</i>
	16.50 - 17.05 CO ₂ SEQUESTRATION USING INNOVATIVE SOLVENTS BASED ON THE USE OF METAL OXIDE NANOPARTICLES, Alice Chillè , Sapienza University of Rome, Italy	16.30 - 16.40 UTILIZING ULTRASOUND-ASSISTED EXTRACTION FOR THE RECOVERY OF BIOACTIVE COMPOUNDS FROM HERBAL TEA INDUSTRY WASTE, Siniša Simić , University of Novi Sad, Serbia <i>Flash Presentation</i>	16.20 - 16.35 BIODEGRADABLE PACKAGING MATERIALS BASED ON POLY(VINYLAALCOHOL) AND LIGNIN - SUSTAINABLE APPROACH TOWARD GREEN ECONOMY, Marta Goliszek-Chabros , Maria Curie-Skłodowska University, Poland
	17.05 - 17.20 ECO-FRIENDLY PHOSPHATE-FUNCTIONAL CELLULOSE FOR CO ₂ CAPTURE AND CONVERSION, Houssine Sehaqui , University Mohammed VI Polytechnic (UM6P), Morocco	16.40 - 16.55 VALORISATION OF LEMON DRIED PEEL DUST TO ENHANCE THE CIRCULARITY IN THE LEMON JUICE INDUSTRY, Aintzane Esturo , International Fruit and Vegetable Juice Association (IFU), France <i>Online</i>	16.35 - 16.45 EXPLORING THE INTEGRATION OF GREEN TECHNOLOGIES IN URBAN PLANNING FOR SUSTAINABLE DEVELOPMENT IN SUDAN: BARRIERS, OPPORTUNITIES AND POLICY IMPLICATIONS. Isra Mustafa Mohamed Elamin , Near East University, North Cyprus <i>Flash Online Presentation</i>
		16.55 - 17.10 SUSTAINABLE AGROCHEMICAL PRODUCTION VIA MECHANOCHEMISTRY, Andrea Casagrande , University of Montpellier, France <i>Online</i>	
		17.10 - 17-25 FROM AGRO-INDUSTRY WASTE TO A BITE-SIZED SNACK: CHESTNUT SHELLS EXTRACT AS ACTIVE INGREDIENT FOR FUNCTIONAL COOKIES, Diana Pinto , REQUIMTE/LAQV, ISEP-Polytechnic of Porto, Portugal <i>Online</i>	

3RD GREENERING INTERNATIONAL CONFERENCE AGENDA PER DAYS

THIRD DAY: 14TH FEBRUARY 2025

Plenary Session 3	9.00 - 10.30 Location: Main Auditorium C00068-C01066 <i>Session Chairs: Professor Christelle Crampon, France, and Professor Cheng Chin Kui, UAE</i>		
	9.00 - 9.50 Plenary Talk: Karine SEAUDEAU-PIROULEY, Innovation Fluides Supercritiques, France AN OVERVIEW OF SUPERCRITICAL FLUIDS APPLICATIONS		
	9.50 - 10.25 Invited Talk: Giancarlo Cravotto, University of Turin, Italy CRITICAL ISSUES AND SUCCESS FACTORS FOR EFFECTIVELY GREENERING THE CHEMICAL AND PHARMACEUTICAL INDUSTRIES		
	10.25 - 10.30 Supporter Video message: Food Scale		
Coffee break:	10.30 - 10.45 Location: Multi-Purpose Hall D00073		
Parallel Sessions: 13, 14 and 15	10.45 - 11.50 Location: Main Auditorium C00068-C01066 Topics 1 and 3 <i>Session Chairs: Professor Stela Jokic, Croatia, and Professor Giancarlo Cravotto, Italy</i>	10.45 - 11.55 Location: Lecture Hall B-00055 Topic 4 <i>Session Chairs: Professor Ivana Radojicic Redovnikovic, Croatia, and Professor Anastasia Detsi, Greece</i>	10.45 - 11.55 Location: Lecture Hall B-00107 Topics 2 and 3 <i>Session Chairs: Professor Cristina Cavinato, Italy, and Professor Cheng Chin Kui, UAE</i>
	10.45 - 11.00 GREEN EXTRACTS, BIOACTIVITY SCREENING AND VALORIZATION: ADDRESSING AGEING AND/OR AGE-RELATED DISEASES WITH INNOVATIVE NATURAL SOLUTIONS, Ioannis Trougakos , National and Kapodistrian University of Athens, Greece	10.45 - 11.00 SURFACE ENHANCED POLYMERIC FILTERS FOR WATERBORNE VIRUS DEACTIVATION, Mujeeb Oladipupo Kareem , Khalifa University, UAE	10.45 - 11.00 BIOFUELS PRODUCTION BY GROWING ENERGY CROPS ON CONTAMINATED LANDS - THE GOLD PROJECT, Efthymia Alexopoulou , CRES, Greece
	11.00 - 11.10 NADES GOODNESS PLANT EXTRACTS, Martina Železnjak , NADES Design, Croatia <i>Flesh Presentation</i>	11.00 - 11.15 GREEN REINFORCEMENT OF PLASTIC PACKAGING BY STARCH ADDITION: COUPLING COMPUTATIONAL AND EXPERIMENTAL STUDIES, Pietro Calandra , CNR-ISMN, Italia	11.00 - 11.15 LIFE CYCLE ASSESSMENT AND THERMODYNAMIC MODELING OF BIOFUEL PRODUCTION FROM BIOMASS VIA FISCHER-TROPSCH SYNTHESIS, Towhid Gholizadeh Baris , Silesian University of Technology, Poland <i>Online</i>

Parallel Sessions: 13, 14 and 15	10.45 - 11.50 Location: Main Auditorium C00068-C01066 Topics 1 and 3 <i>Session Chairs: Professor Stela Jokic, Croatia, and Professor Giancarlo Cravotto, Italy</i>	10.45 - 11.55 Location: Lecture Hall B-00055 Topic 4 <i>Session Chairs: Professor Ivana Radojicic Redovnikovic, Croatia, and Professor Anastasia Detsi, Greece</i>	10.45 - 11.55 Location: Lecture Hall B-00107 Topics 2 and 3 <i>Session Chairs: Professor Cristina Cavinato, Italy, and Professor Cheng Chin Kui, UAE</i>	
	11.10 - 11.20 GREEN EXTRACTION PROCESS OF <i>SIDERITIS SCARDICA</i> USING NATURAL DEEP EUTECTIC SOLVENTS FOR COSMETIC APPLICATIONS, Andromachi Tzani , National Technical University of Athens, Greece <i>Flash presentation</i>	11.15 - 11.25 ACTIVATED CARBON-DECORATED ELECTROSPUN FIBERS AND THEIR APPLICATION IN AIR FILTRATION, Natalia Czerwinska , Polytechnic University of Marche, Italy <i>Flash presentation</i>	11.15 - 11.30 THERMODYNAMIC, ECONOMIC AND ENVIRONMENTAL PERFORMANCE OF HYDROGEN PRODUCTION VIA GASIFICATION OF REFUSE-DERIVED FUEL AND CARBON CAPTURE, Dario Balaban , Faculty of Technology Novi Sad, Serbia	
	11.20 - 11.30 NUTRITIONAL CHARACTERISTICS, PHYTOCHEMICAL AND ANTIMICROBIAL STUDY OF <i>VACCINIUM PARVIFOLIUM</i> L. (ERICACEA) LEAF PROTEIN CONCENTRATES, Bolaji Kehinde Adeola , Emmanuel Alayande University of Education, Nigeria <i>Flash presentation</i>	11.25 - 11.40 GREEN BIOPOLYMER TECHNOLOGY AND HARNESSING PURPLE BACTERIA FOR SUSTAINABLE MATERIALS, Jana Klopchevska , Faculty of Technology and Metallurgy, UKIM, North Macedonia	11.30 - 11.45 A SILENT HYDROGEN GENERATOR FOR CONTINUOUS OPERATION ON SUBMARINE AND AUTOMOTIVE APPLICATIONS, Ines Belhaj , University of Lisboa, Portugal	
	11.30 - 11.40 BIOMAAS PYROLYSIS BIO-OIL FRACTIONATION. CHARACTERIZATION AND APPLICATION AS ANTIOXIDANTS, Jesús Arauzo , University of Zaragoza, Spain <i>Flash Presentation</i>	11.40 - 11.55 STARCH EMULSION TEMPLATE COMPOSITES FOR POTENTIAL BIOLOGICAL APPLICATIONS, Laria Fabiola Rodriguez Quesada , Costa Rica Institute of Technology, Costa Rica <i>Online</i>	11.45 - 11.55 IMPLEMENTATION OF DEEP LEARNING MODELS IN SMOKE POINT PREDICTION FOR CLEANER AND EFFICIENT FUELS, Ruaa Ala Eldin Ageeb Abakar , King Fahd University of Petroleum and Mineral, Saudi Arabia <i>Flash presentation</i>	
	11.40 - 11.50 THIN-LAYER INTERMITTENT NEAR INFRARED DRYING OF OLIVE POMACE: A GREEN APPROACH TO IMPROVE RECOVERY OF BIOACTIVES, Ioanna Pyrka , Aristotle University of Thessaloniki, Greece <i>Flash Online Presentation</i>			
Lunch	11.55 - 12.40 Location: Multi-Purpose Hall D00073			
Closing:	12.40 - 13.00 Location: Main Auditorium C00068-C01066			
Leaving to desert	13.45 Location: A Building Gate, Ground floor next to Khalifa Innovation Center			

3RD GREENERING INTERNATIONAL CONFERENCE - POSTER PRESENTATIONS

1	EXTRACTION OF PHENOLICS FROM GRAPE SKIN AND ROSEHIP FRUIT	Maša Knez Marevci	University of Maribor	Slovenia
2	RECOVERY OF OLEUROPEIN FROM OLIVE LEAVES USING NATURAL EUTECTIC SOLVENTS AND ULTRASOUND-ASSISTED EXTRACTION	Emilio J. González	Universidad Politécnica de Madrid	Spain
3	APPLICATION OF GREEN SUPRAMOLECULAR SOLVENTS TO THE EXTRACTION OF NATURAL ANTIOXIDANTS FROM OLIVE LEAVES	María González Miquel	Universidad Politécnica de Madrid	Spain
4	FRUIT PEEL VALORIZATION THROUGH SUSTAINABLE GREEN SOLVENT TECHNOLOGIES	Vanja Travacic	University of Novi Sad	Serbia
5	AN ALGINATE-SUPPORTED NADES SYSTEM FOR SUSTAINABLE CATALYSIS <i>Online Poster Presentation</i>	Neofotistos Stavros	National Technical University of Athens	Greece
6	ADVANCING THE CIRCULAR ECONOMY IN THE TEXTILE INDUSTRY: DECOLORIZING COTTON WITH IONIC LIQUIDS	Begoña González de Prado	Universidad de Vigo	Spain
7	SOLUBILITY OF QUERCETIN AND TRANS-PICEID IN METHANOL, ETHANOL, MEK AND MIXED SOLVENTS	Begoña González de Prado	Universidad de Vigo	Spain
8	VALORIZATION OF DESMODIUM CANADENSE BY EVALUATING ITS ANTIOXIDANT POTENTIAL AND PHYTOCHEMICAL COMPOSITION	Sana Abbas	Kaunas University of Technology	Lithuania
9	DEVELOPMENT OF A NOVEL SUSTAINABLE EXTRACTION PROCESS OF NETTLE LEAVES USING NATURAL DEEP EUTECTIC SOLVENTS	Anastasia Detsi	National Technical University of Athens	Greece
10	DEVELOPMENT OF A GREEN EXTRACTION PROCESS FROM RESIDUES OF ASSYRTIKO WINE PRODUCTION FOR COSMETIC APPLICATIONS <i>Online Poster Presentation</i>	Styliani Kalafateli	National Technical University of Athens	Greece
11	VIABILITY OF EXTRACTION METHODS ON ELDERBERRY POMACE	Erika Maria Vagi	Budapest University of Technology and Economics	Hungary
12	PHYTOCHEMICAL PROFILE OF ULVA LACTICA FROM THE ADRIATIC SEA	Ema Pavicic	Faculty of Food Tehcnology Osijek	Croatia
13	DEVELOPMENT OF AN EFFECTIVE METHOD FOR DECONTAMINATING PLASTIC WASTE USING A SUPERCRITICAL FLUID <i>Online Poster Presentation</i>	Zoghلامي Wala	Innovation fluide supercritique	France

14	OPTIMIZATION OF ULTRASOUND-ASSISTED EXTRACTION OF HYPOCHOLESTEROLEMIC COMPOUNDS FROM AGARICUS BISPORUS BY-PRODUCTS	Sandrina Alves Heleno	Instituto Politécnico de Bragança	Portugal
15	RATIONAL DESIGN OF NATURAL DEEP EUTECTIC SOLVENTS FOR LIFE SINCE APPLICATIONS	Ivana Radojčić Redovniković	University of Zagreb	Croatia
16	EXPLORING NATURAL DEEP EUTECTIC SOLVENTS AS EFFECTIVE INHIBITORS OF THE ENZYME MUSHROOM TYROSINASE <i>Online Poster Presentation</i>	Maria-Anna Karadendrou	National Technical University of Athens	Greece
17	VIABILITY OF EXTRACTION METHODS ON ELDERBERRY POMACE	Bled Dyla	Technical University of Denmark	Denmark
18	RECOVERY OF POLAR COMPOUNDS FROM POST SUPERCRITICAL MARIGOLD USING AN ULTRASOUND PROBE	Aleksandra Gavaric	University of Novi Sad	Serbia
19	ECO-FRIENDLY BIOREMEDIATION: CONVERTING SUCRALOSE, AN EMERGING WATER POLLUTANT, INTO NOVEL POLYSACCHARIDES FOR BIOTECHNOLOGICAL ADVANCEMENTS	Nayla Munawar	United Arab Emirates University	UAE
20	GREEN INNOVATION IN DAIRY: OPTIMIZING CHEESE RIPENING WITH OLIVE LEAF EXTRACT IN A MODIFIED ATMOSPHERE	Elizabeta Zandona	Karlovac University of Applied Sciences	Croatia
21	GREEN BIOPRODUCT OF VANILIN FROM FERULIC ACID: A SUSTAINABLE APPROACH FOR AROMA SYNTHESIS AND WHOLE-GENOME SEQUENCING OF ENZYMES INVOLVED IN THE CONVERSION	Harsha Mohan	Mahatma Gandhi University	India
22	PRODUCTION OF GREEN METHANOL TO UNLOCK LARGE-SCALE SUSTAINABLE FUELS PRODUCTION FOR THE MARITIME INDUSTRY	Aaira Nadeem	Khalifa University	UAE
23	HYDROTHERMAL PRETREATMENT WITH AND WITHOUT OXIDANT FOR BIOGAS PRODUCTION FROM SLUDGE, DAIRY, AND WOOD RESIDUES: A CASE STUDY UTILIZING CONVENTIONAL ACTIVATED SLUDGE	Reynald Ponte	Estonian University of Life Science	Estonia
24	MICROALGAE BIOFERTILIZERS FOR A GREENER TOMORROW: REVOLUTIONIZING SUSTAINABLE AGRICULTURE	Doris Tang Ying Ying	Khalifa University	UAE
25	EVALUATION OF GROWTH AND PIGMENTATION OF TERANA CAERULEA FUNGUS IN DIFFERENT CULTIVATION CONDITIONS	Sandrina Alves Heleno	Instituto Politécnico de Bragança	Portugal
26	IMPROVE THE SECRETORY EXPRESSION OF KERATINASE IN BACILLUS LICHENIFORMIS	Ishaq Ali Raza	Hubei University	China

27	SUSTAINABILITY ASSESSMENT OF A BIOREFINERY FOR MANAGING SARGASSUM OVERPOPULATION IN THE MEXICAN CARIBBEAN	Leonardo Gaspar Rodrigues	Université de Technologie de Troyes	France
28	LIGNIN BASED RESINS FOR SUSTAINABLE COATINGS	Nataliia Smyk	Taras Shevchenko National University of Kyiv	Ukraine
29	LEVERAGING TREATED MINING WASTE FROM LIBONA, BUKIDON AND PHILIPPINE RED CLAY TO DEVELOP SELF CLEANING CERAMIC GLAZE FOR STONEWARE ROOF TITLES	Lori-ann I. Cabalo	Mindanao State University	Philippines
30	THE FUTURE OF SUSTAINABLE AGRICULTURE: EMPOWERING YOUTH THROUGH DIGITALIZATION AND MULTIFUNCTIONALITY	Ines Cindrić	Karlovac university of Applied Sciences	Croatia
31	DENDRITIC SILICA WITH HIERARCHICAL POROSITY FROM RICE HUSK WASTE FOR LOW-PRESSURE REVERSIBLE H ₂ STORAGE	Amanuel Gidey Gebretatios	Khalifa University	UAE
32	BIOREFINING SEED PRESS CAKE INTO VALUE ADDED FUNCTIONAL FOOD INGREDIENTS BY CONSECUTIVE SUPERCRITICAL CO ₂ AND PRESSURIZED LIQUID EXTRACTIONS	Mouandhe Imamou Hassani	Kaunas University of Technology	Lithuania
33	BIOREFINING OF BOTANICALS FOR HIGH ADDED VALUE FUNCTIONAL INGREDIENTS: MODERN vs TRADITIONAL METHODS	Petras Rimantas Venskutonis	Kaunas University of Technology	Lithuania
34	VALORIZATION OF COCOA BEAN HUSK AND WALNUT SHELL IN THE DEVELOPMENT OF FUNCTIONAL BIO-BASED EDIBLE FILMS	Draženka Komes	University of Zagreb	Croatia
35	UNLOCKING THE POTENTIAL OF HYPERICUM PERFORATUM HERBAL DUST: INTEGRATION OF SUPERCRITICAL AND ULTRASOUND-ASSISTED EXTRACTION FOR MAXIMAL RECOVERY OF PHENOLIC COMPOUNDS	Sladjana Krivosija	University of Novi Sad	Serbia
36	INNOVATIVE COUPLED GREEN EXTRACTION TECHNOLOGIES FOR SPENT COFFEE GROUNDS: FORWARD-THINKING APPROACHES TO COFFEE WASTE REUSE	Mirjana Sulejmanovic	Univeristy of Novi Sad	Serbia
37	ULTRASOUND-ASSISTED EXTRACTION OF AGRICULTURAL WASTE OF ONIO AND GARLIC PROCESSING PARAMETERS OPTIMIZATION AND IDENTIFICATION OF POLYPHENOLIC COMPOSITION	Isidora Vlaovic	University of Novi Sad	Serbia
38	INFLUENCE OF EXTRACTION METHOD AND PARTICLE SIZE ON PHENOLIC CONTENT AND BIOLOGICAL POTENTIAL OF AGRI-FOOD BY PRODUCTS	Danijela Skroza	University of Split	Croatia
39	FROM WASTE TO VALUE: CONVERTING EGGSHHELLS INTO CALCIUM SALTS, EGG WHITE PROTEINS AND EGGSHHELL MEMBRANES	Sandra Budzaki	Josip Juraj Strossmayer University of Osijek	Croatia

40	NEW HIGH SURFACE AREA MESOPOROUS SILICA NANOPARTICLES AND ITS USE TOWARDS ANTIFOULING MATERIALS	Michelangelo Gruttadauria	University of Palermo	Italy
41	INNOVATIVE NANOCOMPOSITE HYDROGELS FOR PHOTODYNAMIC THERAPY (PTD): SYNTHESIS AND APPLICATION <i>Online Poster Presentation</i>	Kalogeropoulou Flora	National Technical University of Athens	Greece
42	BIODEGRADABLE BIOPOLYOLS IN THE FORMULATION OF FLEXIBLE POLIURETHANE FOAMS <i>Online Poster Presentation</i>	Carlos Castaño Forte	Technology Centre of Furniture and Wood of the Region of Murcia (CETEM)	Spain
43	BIODEGRADABILITY OF BIOPOLYMERIC BLENDS COMPOSED OF THERMOPLASTIC STARCH AND POLYLACTIDE	Antun Jozinović	Josip Juraj Strossmayer University of Osijek	Croatia
44	ENVIRONMENTAL ISOLATION OF POLYURETHANE BIODEGRADING MICROORGANISMS AND DETERMINATION OF THEIR BIODEGRADATION CAPACITY <i>Online Poster Presentation</i>	Marta Muñoz Martí	Technology Centre of Furniture and Wood of the Region of Murcia (CETEM)	Spain
45	PLANT-BASED BIOPOLYMERS AS CARRIERS OF TART CHERRY POLYPHENOLS <i>Online Poster Presentation</i>	Mirela Kopjar	Josip Juraj Strossmayer University of Osijek	Croatia
46	ANALYSIS OF PHBV (POLY(3-HYDROXYBUTYRATE CO-3-HYDROXYVALERATE)) AND OTHER BIOPOLYMERS BY GC-MS	Krunoslav Aladić	Josip Juraj Strossmayer University of Osijek	Croatia
47	PREPARATION AND CHARACTERIZATION OF CHITOSAN-BASED EDIBLE FILMS REINFORCED WITH PEACH PEELS EXTRACT AS ACTIVE PACKAGING MATERIALS	Athanasios Goutlis	Aristotle University of Thessaloniki	Greece
48	DEVELOPMENT OF A SUSTAINABLE MEDITERRANEAN-INSPIRED SNACK: GREEN EXTRACTION OF BIOACTIVE COMPOUNDS AND BIOPOLYMER PACKAGING	Marcio Soares Carocho	Instituto Politécnico de Bragança	Portugal
49	IMPACT OF NATURAL PRESERVATIVES ON THE QUALITY AND SHELF-LIFE OF RICOTTA CHEESE	Marcio Soares Carocho	Instituto Politécnico de Bragança	Portugal
50	MODIFICATION OF COCOA BEAN SHELL WITH HIGH VOLTAGE ELECTRICAL DISCHARGE	Đurđica Ačkar	Josip Juraj Strossmayer University of Osijek	Croatia
51	INNOVATIVE 2D NANOCOMPOSITE AEROGELS FOR ENHANCED LITHIUM RECOVERY FROM BRINE WATER	Nour Abdelrahman	Khalifa University	UAE

52	Zn-Al/Cr/Fe MIXED OXIDES AS PHOTOCATALYSTS FOR DYE REMOVAL	Milica Hadnadjev-Kostic	University of Novi Sad	Serbia
53	DESIGN OF TITANIUM DIOXIDE NANOMATERIALS AND THEIR USE AS PHOTOCATALYSTS FOR SUSTAINABLE APPLICATIONS	Carla Calabrese	CNR-Institute for the Study of Nanostructured Materials (ISMN)	Italy
54	ENERGY-EFFICIENT SYNTHESIS OF MAGNETIC MATERIALS BY PROCESSING IRON-CONTAINING LIQUID WASTE	Gennadii Kochetov	Kyiv National University of Construction and Architecture	Ukraine
55	GLYCEROL AS A GREEN SOLVENT FOR COPPER(I) CATALYZED 1,3- DIPOLAR CYCLOADDITION: SYNTHESIS OF NOVEL 1,2,3-TRIAZOLE FRAMEWORKS BASED ON QUINOLINONE, QUINAZOLINONE AND COUMARIN CORE	Maja Molnar	Josip Juraj Strossmayer University of Osijek	Croatia
56	SYNTHESIS OF METAL TUNGSTATE FOR ENVIRONMENTAL REMEDIATION APPLICATIONS	Jawaher Shawaf	King Khalid University	Saudi Arabia
57	A LOW-COST-G-C ₃ N ₄ @PbI ₂ NCs SYNTHESIS, STRUCTURAL, VIBRATIONAL, OPTICAL, PHOTOLUMINESCENCE, AND ELECTRICAL STUDIES: A NOVEL MATERIAL FOR OPTOELECTRONIC DEVICES	Fawzeyah Ali Alkhaloofa	King Khalid University	Saudi Arabia
58	SYNTHESIS AND CHARACTERIZATION OF WO ₃ /TiO ₂ NANOCOMPOSITES DECORATED WITH Ag NPs FOR PHOTOREDUCTION OF HIGHLY TOXIC Cr (VI) AND ANTICANCER POTENTIAL	Sharah Hassan Aldirham	King Khalid University	Saudi Arabia
59	IMPACT OF CA CONCENTRATIONS ON THE SYNTHESIS AND PHYSICAL PROPERTIES OF ZnFe ₂ O ₄ MAGNETIC NANOPARTICLES	Nojod Mansour Al Sdran	King Khalid University	Saudi Arabia
60	TAILORING THE STRUCTURAL, MORPHOLOGICAL, OPTICAL PHOTOLUMINESCENCE, DIELECTRIC, AND ELECTRICAL PROPERTIES OF NiO NPs: AN EFFECT OF SDS CONCENTRATIONS	Kaltham Basheer Aljaloud	King Khalid University	Saudi Arabia
61	DEVELOPMENT OF g-C ₃ N ₄ @CeO ₂ NANOSTRUCTURES FOR MULTIFUNCTIONAL APPLICATIONS	Norah Hadi S Alqhtani	King Khalid University	Saudi Arabia

Online Poster Presentation

GREENERING

3rd INTERNATIONAL CONFERENCE

Spread the word!

Don't forget #

#GREENERING

#GREENERING2025



Promote your ideas
for a greener, cleaner and
more sustainable **FUTURE**

To Do **GREAT** Work With Great **PEOPLE**

SPONSORS



SUPPORTERS



3rd

GREENERING INTERNATIONAL CONFERENCE